



*Filippi*  
**RACING ROWING BOATS**

**SPARE PARTS CATALOGUE**





*Filippi Lido S.r.l.*- Via Matteotti 113- 57022 Donoratico (Italy) ph. +39 0565 777311 fax +39 0565 777483

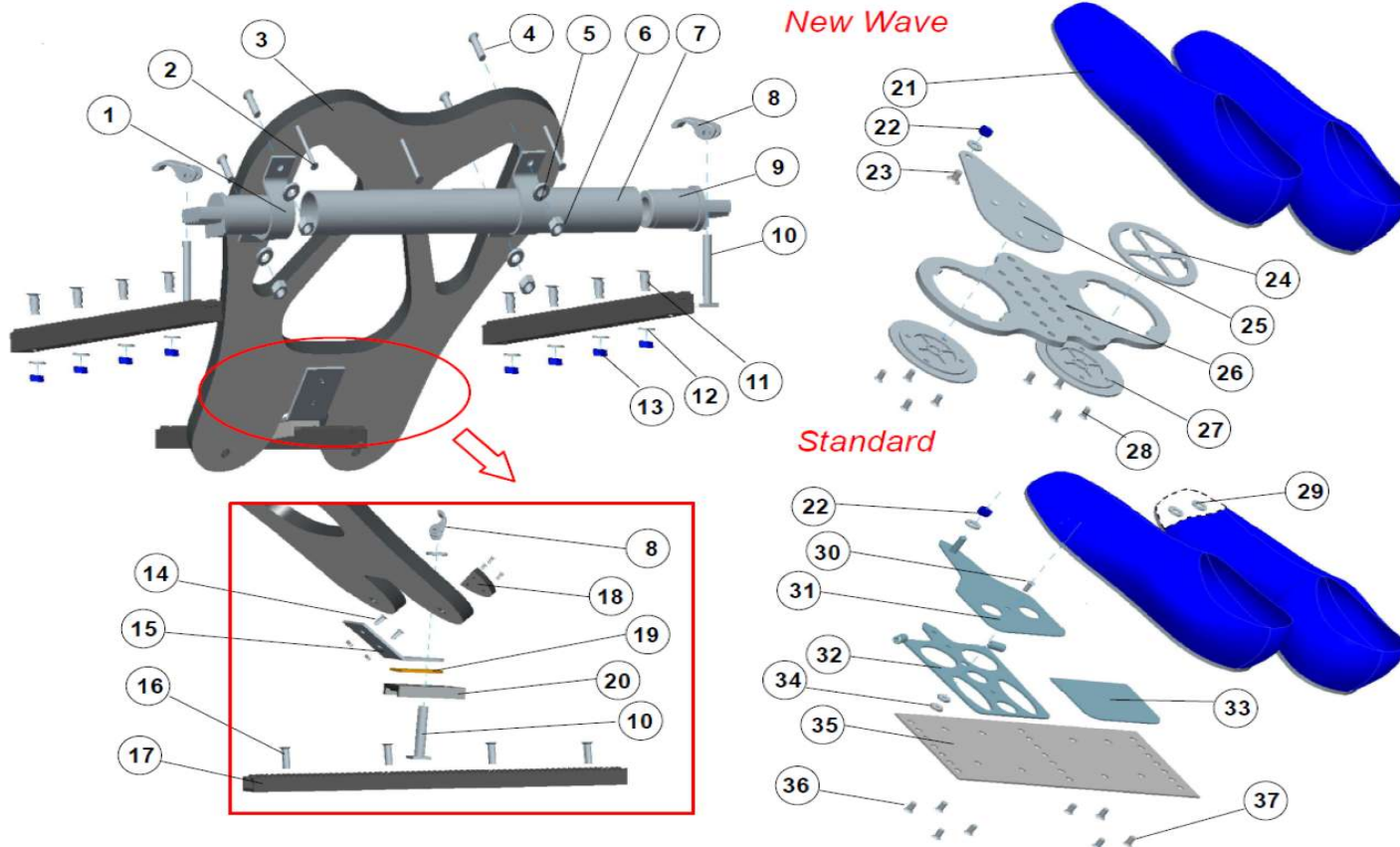
## INDEX

- STRETCHER
- RAILS
- SINGLE ACTION SEAT
- DOUBLE ACTION SEAT
- ADJUSTABLE SEAT
- FINS & RUDDERS
- AeRowFin & RUDDER
- STANDARD ALUMINIUM SCULL RIGGER
- STANDARD ALUMINIUM SWEEP RIGGER
- TRADITIONAL BACKSTAY
- ADJUSTABLE BACKSTAY
- MONOTUBE CARBON RIGGER
- ALUMINIUM WING SCULL RIGGER
- ALUMINIUM WING SWEEP RIGGER
- CARBON WING SCULL RIGGER
- CARBON WING SWEEP RIGGER
- ALIANTE CARBON SCULL RIGGER
- ALIANTE ALUMINIUM SCULL RIGGER
- OTHER ACCESSORIES

**NOTA:**

\*All prices have to be considered ex our factory, without packaging and excluded VAT.  
order.

\* All prices are in euro.



## Stretcher

N°	Code	Description	Price
	VAPEG3010	Pair of Adidas shoes with plate and mounted steering hardware	311,50
	VAPEF2010	Pair of Adidas shoes with mounted carbon plate	187,80
	VAPEF2000	Stretcher complete with rowing shoes	247,20
	VAPEG3000	Steering stretcher complete with fixed rowing shoes	358,00
	VAPEG3001	Hardware for steering stretcher	78,25
1	VAPECAVA	Anodized aluminum clevis pin.	3,87
2	AVV6025	6x25 mm screw for fixing std. and new wave plate (device for standard plate shown in diagram)	0,35
3	VAPEF2002	*Carbon footplate for F15	66,50
	VAPEF2002	*Carbon footplate for F13 and F36	66,50
	VAPEF2002	* Carbon footplate for F14, F18, F21 and F39	66,50
	VAPEF2002	* Carbon footplate for all boats except the previous	66,50
4	AVV5020	5x20mm screw for mounting clevis pins	0,30
5	VABXXA005A	Washer Ø 5mm for mounting clevis pins	0,18
6	AVD5A	Nut Ø 5mm for mounting clevis pins	0,61
7	VAPEX4020	Aluminum crossbar	10,60
8	VABXMCLAR	Eccentric lever for quick attachment	3,50
8 bis	VABXMCPF	Pin with holes for quick attachment	1,62
9	VAPEX4055	Nylon tube plug	1,55
10	AVB6025	Bolt 6x25mm TQ	0,30
11	AVV4035	Screws 4X35mm for mounting stretcher bracket for F11, F13, F17 (if for athletes <90Kg), F30, F31, F36	0,30
	AVV4025	Screws 4X25mm for mounting stretcher bracket for all boats except the previous	0,35

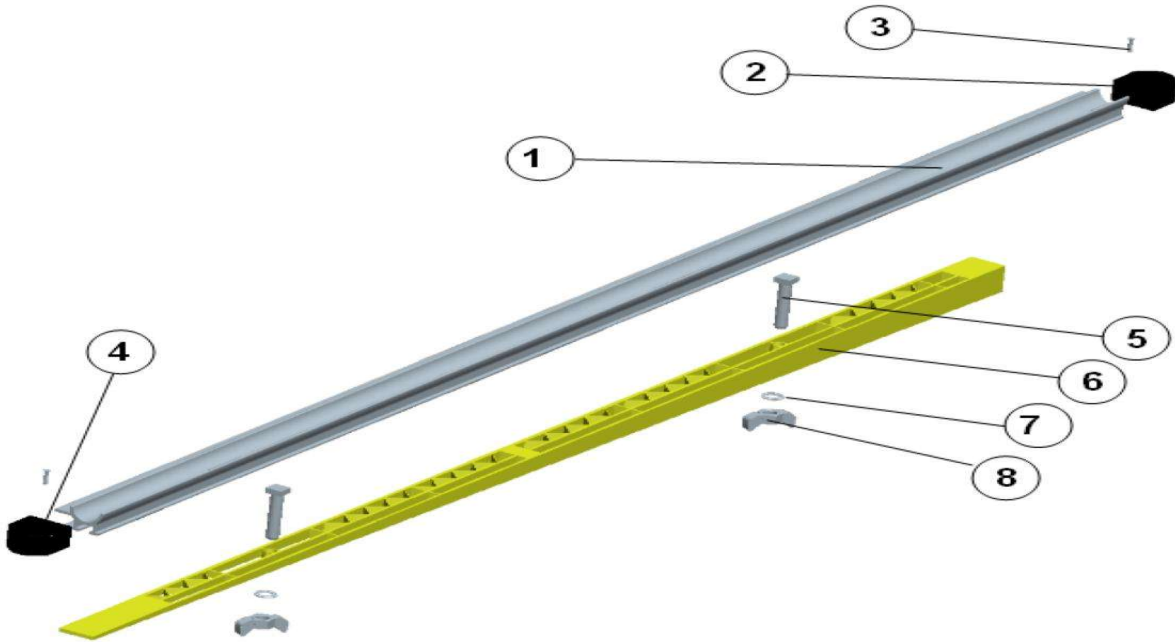
12	VABXXA004A	Ø4µµ washer	0,18
13	AVD4	Ø4µµ Keps nuts	0,70
14	AVV4016	4x16mm screws, for wing nut attachment	0,35
15	VAPEX4040	stainless steel wing nut	3,26
16	AVV3519	3.5x19 mm screws for mounting keel bracket	0,20
17	VAPEX4060	plastic bracket (1 piece)	2,95
18		Wedge for steering shoe heel complete with no. 3 fastening screws	
19	VAPEX4050	Inserts for pitch adjustment	0,32
20	VAPEX4075	Rectangular plug for	1,30
21	VAPEX4000	Adidas rowing shoes	144,00
22	AVD6A	self-locking nut M6	0,80
23	AVV6025	Phillips head screw m6x25 with countersunk head	0,35
24+27	VAPEX4038	pair of discs (upper and lower) for "new wave" stretcher	25,00
	VAPEX4038N	pair of discs (upper and lower) for "new wave" stretcher, for Adidas shoes, new type	25,00
25	VAPEX4038GN	"new wave" steering stretcher, new model of Adidas	29,00
27	VAPEX4038GI	lower disk for "new wave" stretcher	13,00
26	VAPEG3030	carbon plate for "new wave" for F15	97,00
	VAPEG3030	carbon plate for "new wave" for F13 and F36	97,00
	VAPEG3030	carbon plate for "new wave" for all boats except the previous	97,00
28	AVV5016	5x16mm screw for fastening the "new wave" shoe system	0,18
29	VAPEX4047	washer for inside of shoes	0,17
30	AVBA4M6030	M x30 flange bolt, for mounting standard steering shoe stretcher	2,28
31+32	VAPEG3001	steering shoe stretcher, standard	78,25
33		carbon wedge to level the thickness of the steering shoe	0,50
34	AVDESAG	AE6 mm hex nut for mounting standard steering shoe stretcher	0,64
	AVD6C	Lowered AE6 mm hex nut for mounting standard steering shoe	0,64
35	VAPES3030	carbon plate 7 holes for f15	24,90
	VAPES3030	carbon plate 7 holes for F13 and F36	24,90
	VAPES3030	carbon plate 7 holes for all boats except the previous ones	24,90
36	AVV5010	5x10 screws for fastening the standard shoe system	
37		as with detail 28 if Article 33 is present otherwise like 36	

\*provide serial number or type of boat



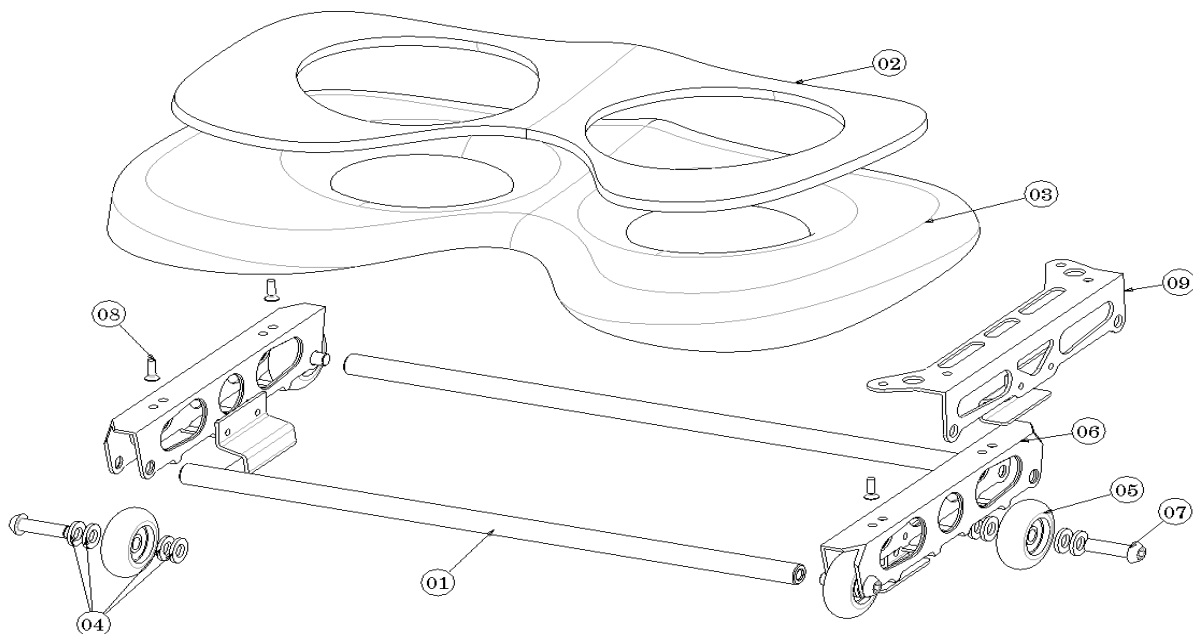
Filippi Lido S.r.l.- Via Matteotti 113- 57022 Donoratico (Italy) ph. +39 0565 777311 fax +39 0565 777483

CATALOGUE 2009 -- N° 29



## Rails

N°	Code	Description	Price
1	VACAX6000	Pair of alloy 85 cm SEAT RAILS, complete with backstops	23,90
	VACAX6000L	Pair of alloy 90 cm SEAT RAILS, complete with backstops	25,00
2	VACAX6001A	Right rail backstop	0,86
3	AVV2995A	Backstop fastening screw 2.9 x95	0,17
4	VACAX6001	Left rail backstop	0,86
5	AVB5037	Rail mounting bolt	0,50
6	VACAX5010	Plastic underrail	6,85
7	VABXXA515A	Washer 5 wide	0,17
8	AVD5	Wing nut 5 for fastening rail	0,50



## Single action seat

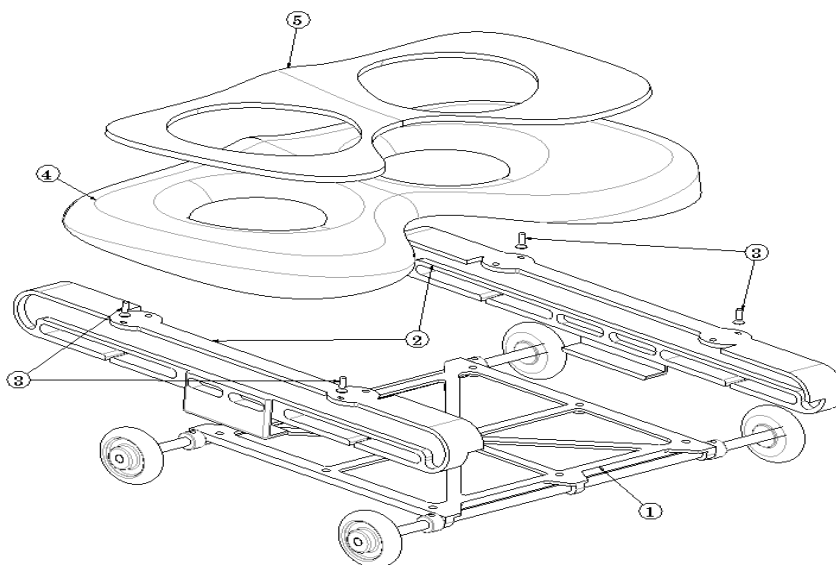
N°	Code	Description	Price
	VACAF1017	Single action seat undercarriage 17	180,00
	VACAF1023	Single action seat undercarriage 23	180,00
	VACAF1025	Single action seat undercarriage 25	180,00
	VACAF1028	Single action seat undercarriage 28	180,00
	VACAF1030	Single action seat undercarriage 30	180,00
1	VACAXX	* Threaded spacers for units 17-23-25-28-30	9,50
2	VACAX7017	Trolley seat top for 17 cm	4,70
	VACAX7023	Seat top for units 23/25cm	4,70
	VACAX7028	Seat top for units 28/30cm	4,70
3	VACAS1417	Carbon seat 17	105,00
	VACAS1423	Carbon seat 23	105,00
	VACAS1428	Carbon seat 28	105,00
	VACAF1217	Fixed wheel undercarriage 17 cm	67,70
	VACAF1223	Fixed wheel undercarriage 23 cm	67,70
	VACAF1225	Fixed wheel undercarriage 25 cm	67,70
	VACAF1228	Fixed wheel undercarriage 28 cm	67,70
4	VABXXA006A	Washer 6	0,15
5	VACAF1400	Wheel bearing	13,45
6	VACAX1200	U-piece for standard unit	13,20
	VACAF1017+1	Single action seat undercarriage 17, + 1cm high	195,00
	VACAF1017+2	Single action seat undercarriage 17, + 2 cm high	195,00
	VACAF1217+1	Fixed wheel undercarriage 17 cm, + 1cm high	82,70
	VACAF1217+2	Fixed wheel undercarriage 17 cm, + 2 cm high	82,70
7	AVV6030A	Wheel bolts (M6x30)	0,45
8	AVV3210	Self-fastening screw 3.2 x 10 stainless steel.	0,18
9	VACAX120030S	Left stainless steel angle bar for Single action seat 30	13,20
	VACAX120030D	Right stainless steel angle bar for Single action seat 30	13,20

\* specify wheelbase measurements



Filippi Lido S.r.l.- Via Matteotti 113- 57022 Donoratico (Italy) ph. +39 0565 777311 fax +39 0565 777483

CATALOGUE 2009 -- N° 29



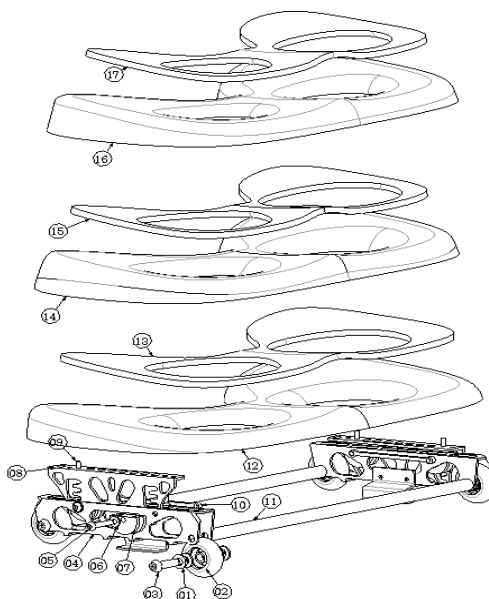
## Double action seat

N°	Code	Description	Price
	VACAS1017	Double action seat wheelbase 17 cm	170,40
	VACAS1023	Double action seat wheelbase 23 cm	172,00
	VACAS1028	Double action seat wheelbase 28 cm	174,00
1	VACAS1217	Chassy with wheelbase 170	56,65
	VACAS1223	Chassy with wheelbase 230	58,35
	VACAS1228	Chassy with wheelbase 280	60,10
2	VACAS1500	cradle	4,40
3	AVV2913A	Self fastening stainless steel screw. 2.9 X13 t.p.	0,17
4	VACAS1428	Carbon seat 28	105,00
	VACAS1423	Carbon seat 23	105,00
	VACAS1428	Carbon seat 28	105,00
	VACAS1428	Carbon seat 30	105,00
5	VACAX7017	Seat top for 17 cm	4,70
	VACAX7023	Seat top for cm 23/25	4,70
	VACAX7028	Seat top for cm 28/30	4,70



Filippi Lido S.r.l.- Via Matteotti 113- 57022 Donoratico (Italy) ph. +39 0565 777311 fax +39 0565 777483

CATALOGUE 2009 -- N° 29



## Adjustable seat

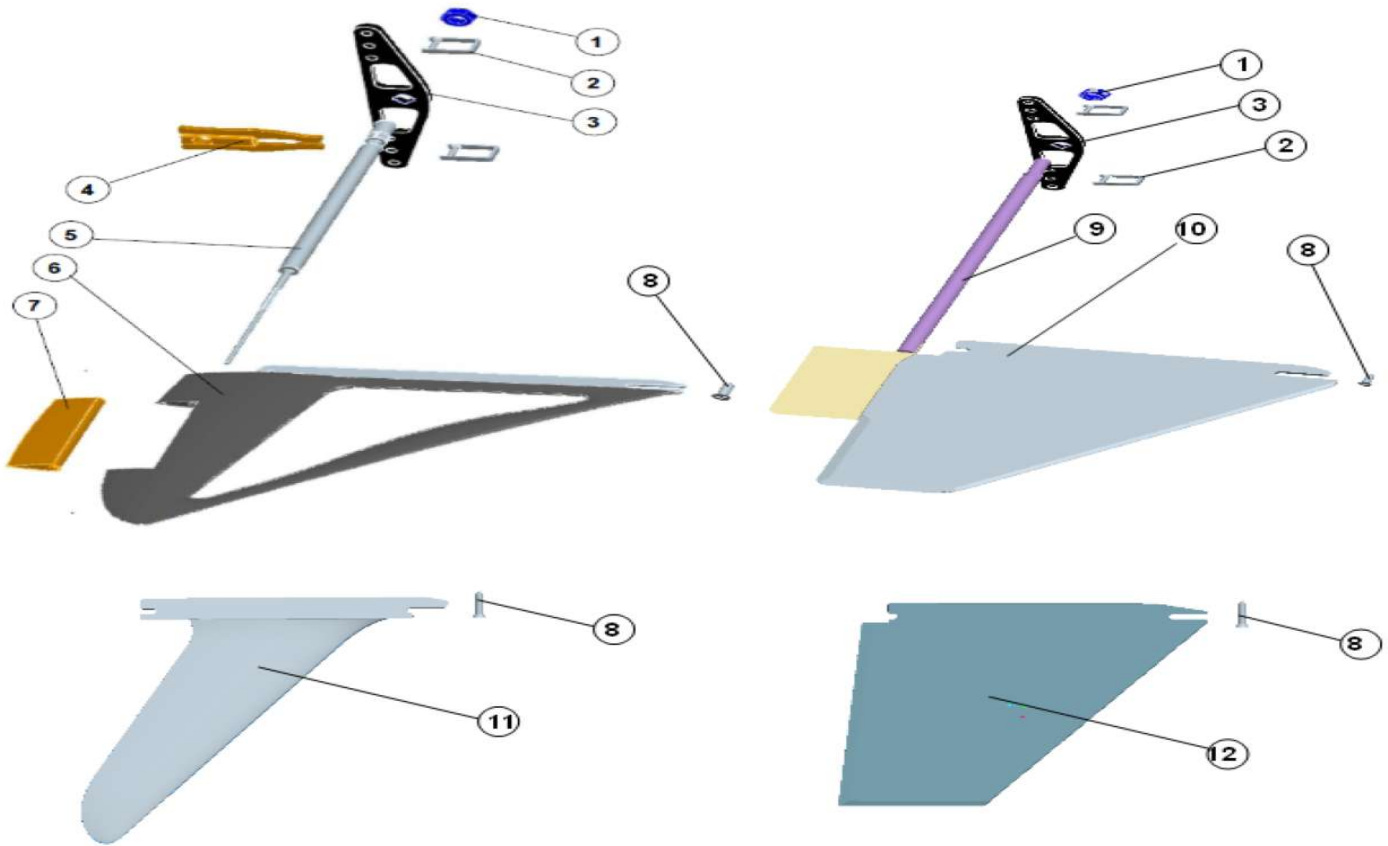
N°	Code	Description	Price
	VACAFR1017	Adjustable seat undercarriage 17	205,00
	VACAFR1023	Adjustable seat undercarriage 23	205,00
	VACAFR1028	Adjustable seat undercarriage 28	205,00
	VACAFR1030	Adjustable seat undercarriage 30	205,00
1	VABXXA006A	Washer 6	0,15
2	VACAF1400	Wheel bearing	13,45
3	AVV6030A	Wheel bolts (M6x30)	0,45
4	VACAX1200R	U-piece for adjustable fixed wheel unit	14,75
5	VACAXXRV4	screw for adjustable M4 undercarriage	0,65
6	VACAXXRRM4	stainless steel washer M4	0,35
7	VACAXXRSP	PVC insert for adjustable unit	2,80
8	VACAX1200RS	stainless steel angle bar for adjustable unit 17/23/28 Left	12,40
	VACAX1200RD	stainless steel angle bar for adjustable unit 17/23/28 Right	12,40
	VACAX1200R30S	stainless steel angle bar for adjustable unit 30 Left	12,80
	VACAX1200R30D	stainless steel angle bar for adjustable unit 30 Left	12,80
9	VACAXXRV35	Stainless steel self-fastening screw 3.5 X 9.4 TBTC	0,50
10	VACAXXR4	M4 "Eight" nut for adjustable unit	4,50
11	VACAXX	* Threaded spacers for units 17-23-25-28-30	9,50
16	VACAS1417	Carbon seat 17	105,00
14	VACAS1423	Carbon seat 23	105,00
12	VACAS1428	Carbon seat 28	105,00
	VACAS1428	Carbon seat 30	105,00
17	VACAX7017	Seat top for 17cm	4,70
15	VACAX7023	Seat top for 23/25cm	4,70
13	VACAX7028	Seat top for 28/30 cm	4,70

\* Specify wheelbase measurement



Filippi Lido S.r.l.- Via Matteotti 113- 57022 Donoratico (Italy) ph. +39 0565 777311 fax +39 0565 777483

CATALOGUE 2 0 0 9 -- N° 29



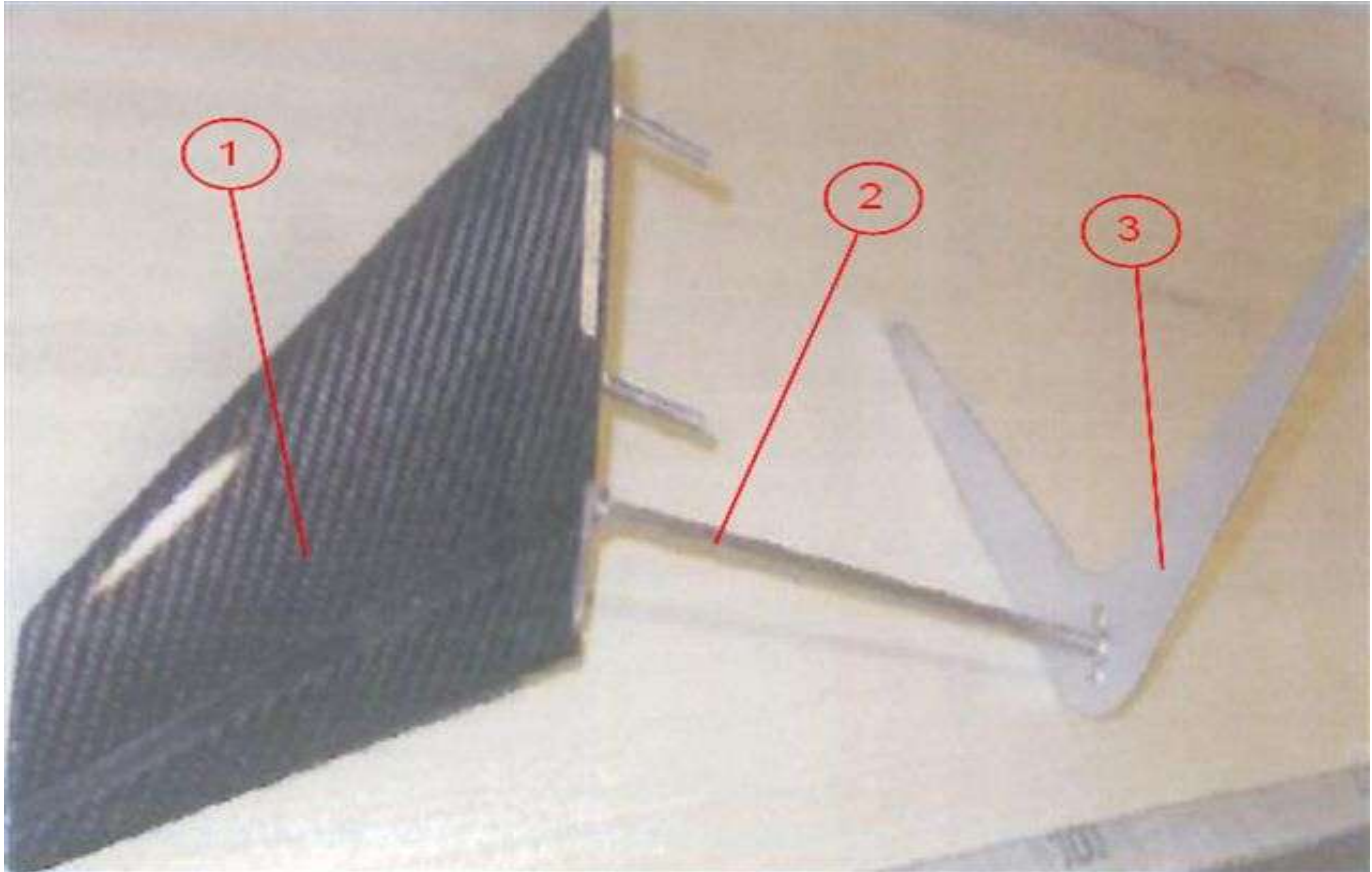
## Fins and Rudders

N°	Code	Description	Price
1	AVDESAGB	flanged nut M6 in anodized alloy. Dark blue	5,60
2	VAVASCT13	No. 2 steel slave	1,90
3	VAVADIR2/4	directional plate 2 - 4 - 4 + 4x small	12,55
	VAVADIR8	directional plate 4 + 8 + large	19,30
4	AASTAVFN	nylon rudder lock for 2 and 4	3,10
5	VAVASCTIT2B	titanium rudder pin for 2	31,00
	VAVASCTIT4B	titanium rudder pin for 4	31,00
6	VAVAPNTI	carbon fin for 2 -	285,00
	VAVASCTIT4	carbon fin for 4 -	295,00
7	VAVAPNTIT	carbon rudder flap for 2 -	32,00
	VAVASCTIT4T	carbon rudder flap for 4 -	32,00
8	AVV4010	Fin fastening screw 4x10	0,30
	VAVASCT24	Stainless steel rudder for 2 - without yoke	23,50
	VAVASCT25	Stainless steel rudder for 4x, without yoke	23,50
	VAVASCT26	Stainless steel rudder for 8 +, without yoke	23,50
10	VAVASCD12	Anodized aluminium fin 2 -	21,60
	VAVASCD11	Anodized aluminium fin 4 + 4x 4	21,80
	VAVASCD08	Anodized aluminium fin 8 +	22,15
11	VAVASCD06BT	Carbon fin for single scull and double scull	92,40
12	VAVASCD03	Removable aluminium fin for double scull and single scull	19,20
13	VABXXA006A	washer no. 6	0,15



*Filippi Lido S.r.l.*- Via Matteotti 113- 57022 Donoratico (Italy) ph. +39 0565 777311 fax +39 0565 777483

**CATALOGUE 2009 -- N° 29**



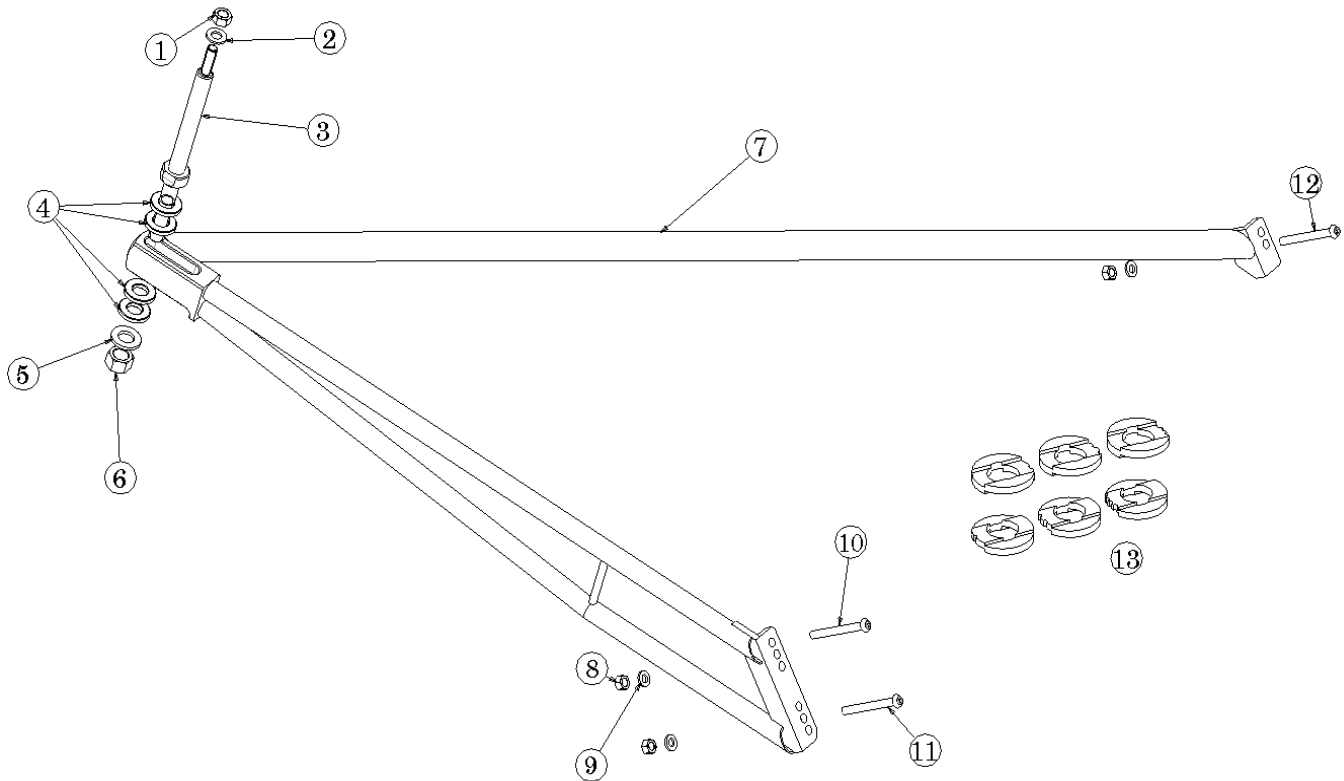
### ***AeRowFin & Rudder***

<b>N°</b>	<b>Code</b>	<b>Description</b>	<b>Price</b>
1	VAVASCD06	Fin/rudder for coxed 8, full carbon	346,00
	VAVASCD06B	Fin/rudder for 4, full carbon	346,00
	VAVASCD06C	Fin/rudder for 2, full carbon	346,00
2	VAVASCTIT4D	Carbon fin/rudder pin 2/4/8	70,00
3	VAVASCTIT4E	T-bar for carbon fin/rudder 2/4/8	60,00



Filippi Lido S.r.l.- Via Matteotti 113- 57022 Donoratico (Italy) ph. +39 0565 777311 fax +39 0565 777483

CATALOGUE 2009 -- N° 29



## Standard aluminium scull rigger

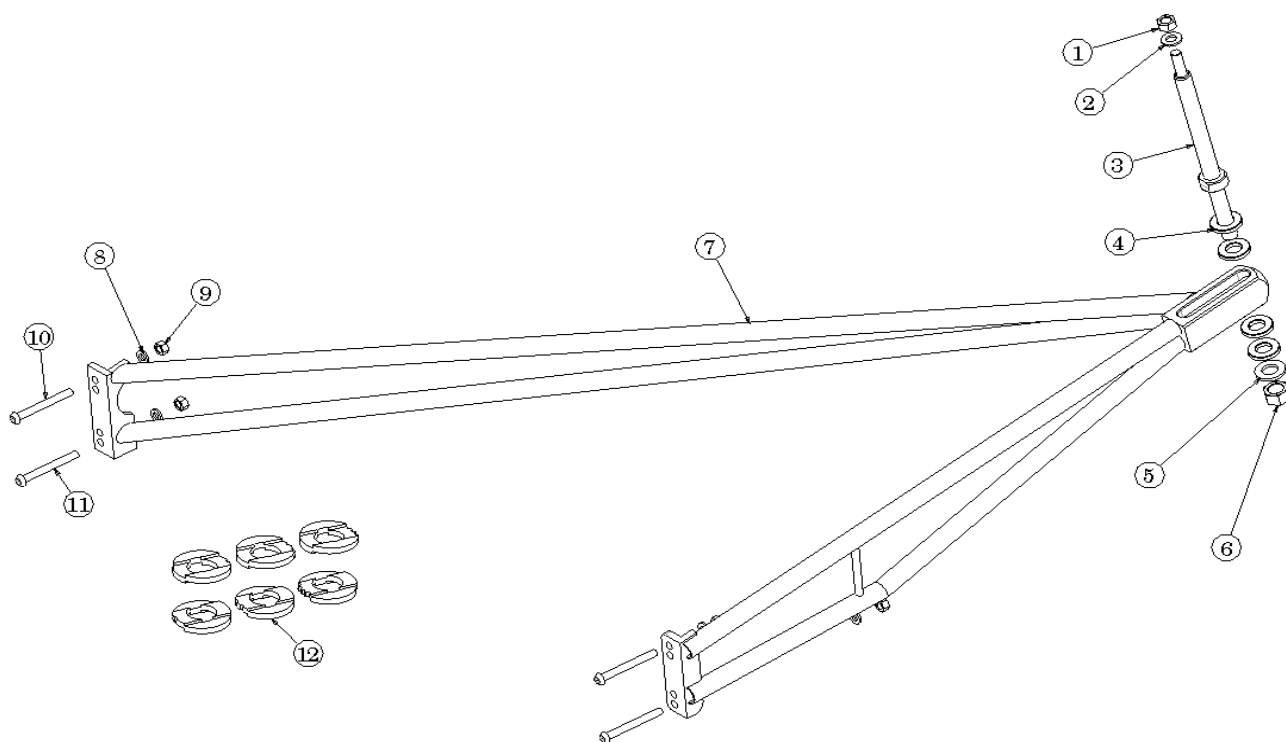
ref. N°	Code	Description	Price
	VABC3T000	* Standard aluminium scull rigger with 5th tube, stainless steel pin and oarlock	241,50
07	VABC3T010	* Standard aluminium scull rigger, structure only	179,00
	VABC3T015	* Standard aluminium scull rigger with 5th tube and stainless steel pin	224,60
01	AVD8	Nut M8	0,77
02	VABXXA008A	Washer 8	0,17
03	VABCXC010	Machined stainless steel pin, scull	23,00
04	VABXXT005	5 mm thick aluminium washer for height	1,55
05	VABXXA012A	stainless steel washer 12	0,39
06	AVD12UNI	Nut M12	1,72
08	AVDESAG	Nut M6	0,64
09	VABXXA006A	Washer 6	0,15
10-12	VAVABUB01	Screw M6 flanged, 6x30 for single scull, 6x40 for double scull, coxless pair, coxless 4, coxed 4, 6x50 for coxed 8	2,28
11	VAVABUB01	Screw M6 flanged, 6x40 for single, 6x50 for double scull, coxless pair, coxed 4, coxless 4, 6x60 for coxed 8	2,28
13	VABXMC070	Set inclined washers for lateral pin adjustment	14,50
	VABXXM010	Black height adjustment washer	0,42
	VABCXC005	Oarlock, scull, Concept 2	15,60
	VABPXMK100	Oarlock, MK 1, scull	35,00
	VABPXMK120	Set of bushings MK 1, scull, for 2 oarlocks	6,70
	VABPXC020	Oarlock adjustment bushings for scull, Concept 2 (1 set)	6,50
		Bag for Standard aluminium scull rigger	

\*Provide serial number or type of boat



Filippi Lido S.r.l.- Via Matteotti 113- 57022 Donoratico (Italy) ph. +39 0565 777311 fax +39 0565 777483

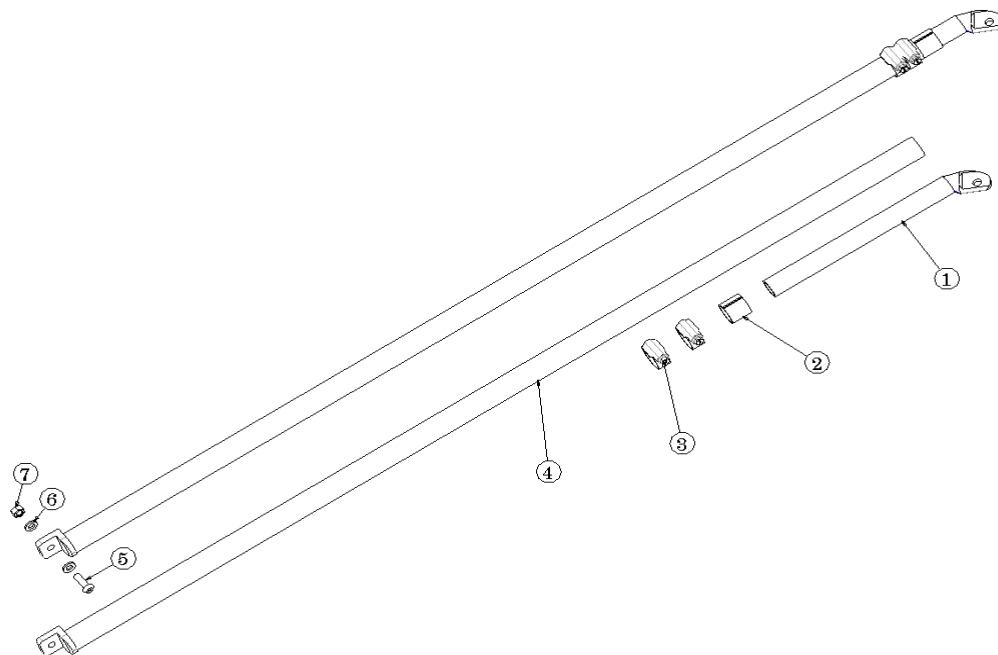
CATALOGUE 2009 -- N° 29



## Standard aluminium sweep rigger

ref. N°	Code	Description	Price
	VABP5T000	* Standard aluminium sweep rigger with 5th tube, stainless steel pin and oarlock	241,50
07	VABP4T010	* Standard aluminium sweep rigger, structure only	179,00
	VABP5T015	*Standard aluminium sweep rigger with 5th tube and stainless steel pin	224,60
01	AVD8	Nut M8	0,77
02	VABXXA008A	Washer 8	0,17
03	VABPXC010	Machined stainless steel pin, sweep	23,00
04	VABXXT005	5 mm thick aluminium washer for height	1,55
05	VABXXA012A	Washer 12	0,39
06	AVD12UNI	Nut M12	1,72
08	VABXXA006A	Washer 6	0,64
09	AVDESAG	Nut M6	0,15
10	VAVABUB01	Screw M6 flanged, 6x30 for single scull, 6x40 for double scull, coxless pair, coxless 4, coxed 4, 6x50 for coxed 8	2,28
11	VAVABUB01	Screw M6 flanged 6x40 for single scull, 6x50 for double scull, coxless pair, coxed 4, coxless 4, 6x60 for coxed 8	2,28
12	VABXMC070	Set of inclined washers for lateral pin adjustment	14,50
	VABXXM010	Black height adjustment washer	0,42
	VABCXC005	Oarlock, sweep, Concept 2	15,60
	VABPXMK100	Oarlock MK 1, sweep	35,00
	VABPXMK120	Set bushings MK 1, sweep, for 2 oarlocks	6,70
	VABPXC020	Oarlock adjustment bushings, sweep, Concept 2 (1 set)	6,50
		Bag for Standard aluminium sweep rigger	

\*Provide serial number or type of boat



## Traditional aluminium backstay

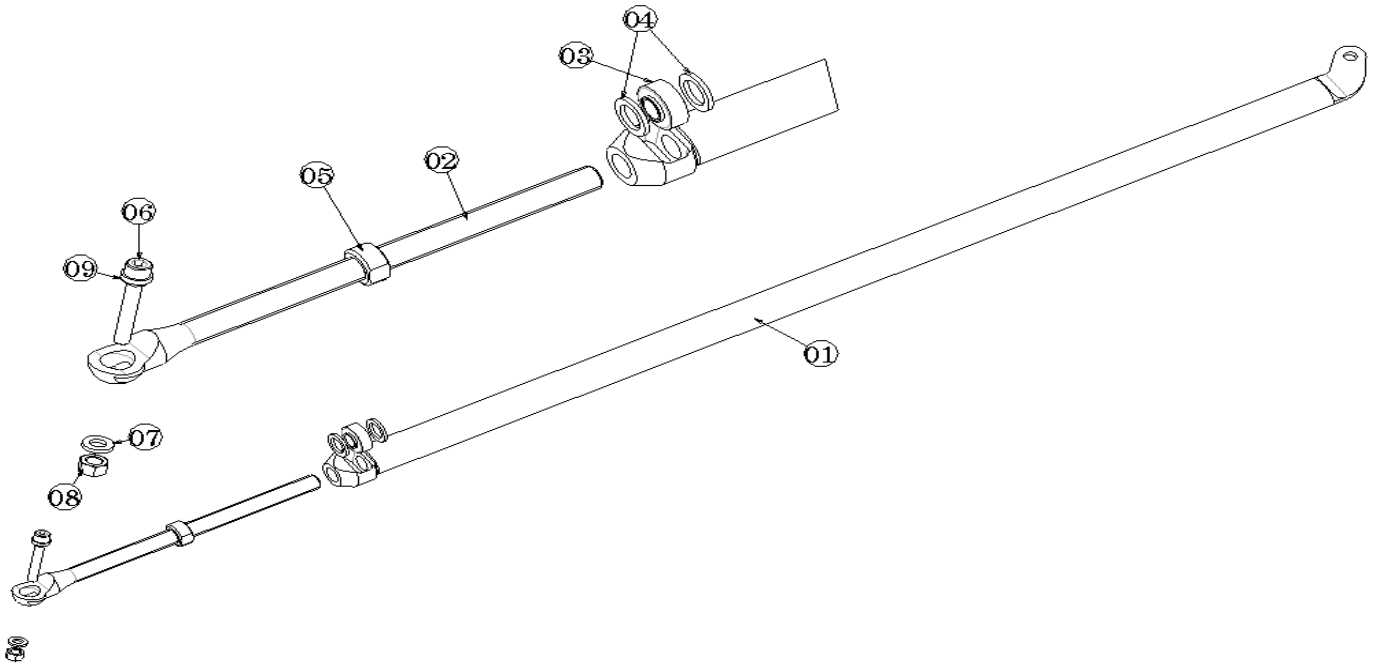
ref. N°	Code	Description	Price
	VABX5T000	* Backstay with end pieces	34,65
	VABXXC020	Backstay, black anodized, with end pieces	49,50
01+02	VABX5T005	Threaded end pieces. Square bracket and ferrule	17,20
03	VABX5T010	Stainless steel clamp	4,00
04	VABX5T020	Backstay without end pieces	11,00
05	AVV6030A	Flanged screw M6x	0,45
06	VABXXA006A	Washer 6	0,15
07	AVDESAG	Nut M6	0,64

\* Provide serial number or type of boat



Filippi Lido S.r.l.- Via Matteotti 113- 57022 Donoratico (Italy) ph. +39 0565 777311 fax +39 0565 777483

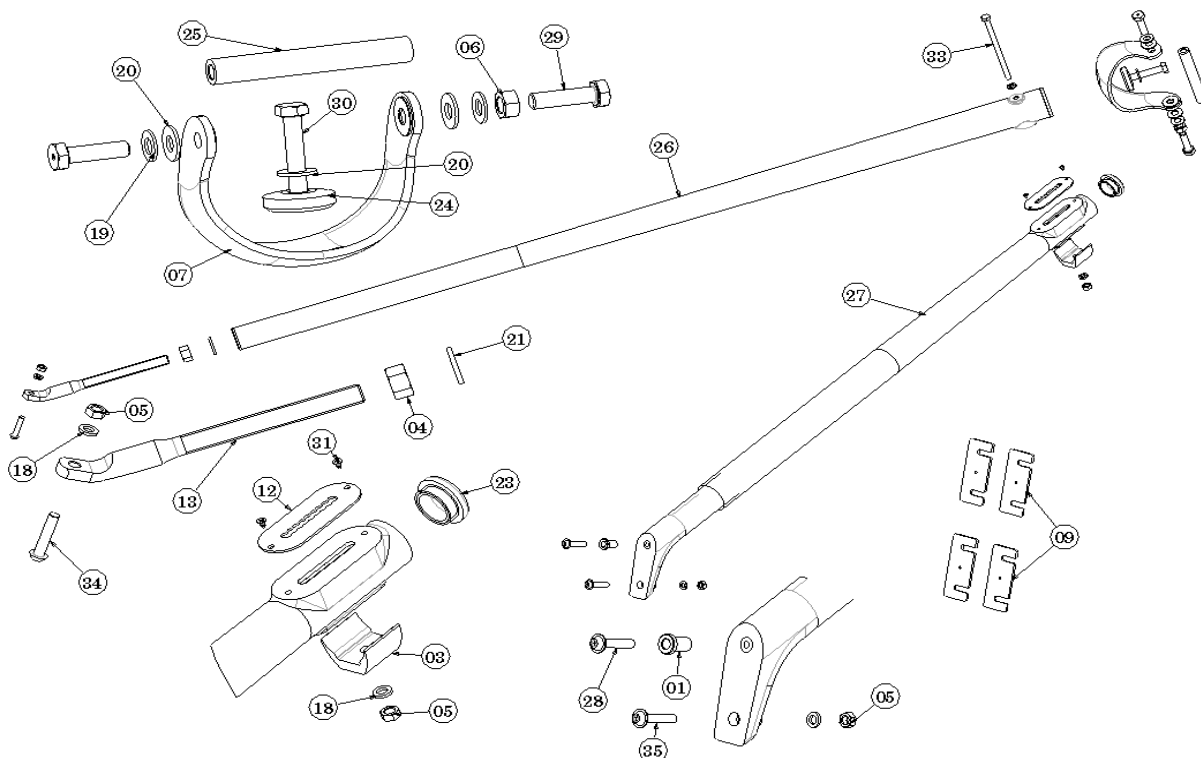
CATALOGUE 2009 -- N° 29



## Adjustable Backstay

N°	Code	Description	Price
	F324A	* Adjustable Backstay, anodized grey, left	90,00
	F324B	* Adjustable Backstay, anodized grey, right	90,00
1	F325A	Oval tube, left	65,80
	F325B	Oval tube, Right	65,80
2	F326	Threaded foot for Adjustable Backstay	19,40
3	F327	Adjusting nut	4,00
5	F328	Aluminium nut M12	4,00
4	VABXXM010	Black height adjustment washer	0,42
6	AVV6030A	Allen head screw cyl. M6x30	0,45
7	VABXXA006A	Washer 6	0,15
8	AVDESAG	Nut M6	0,64
9	F329	Semi-sphere in black PVC for Adjustable Backstay	2,00

\* Provide serial number of boat

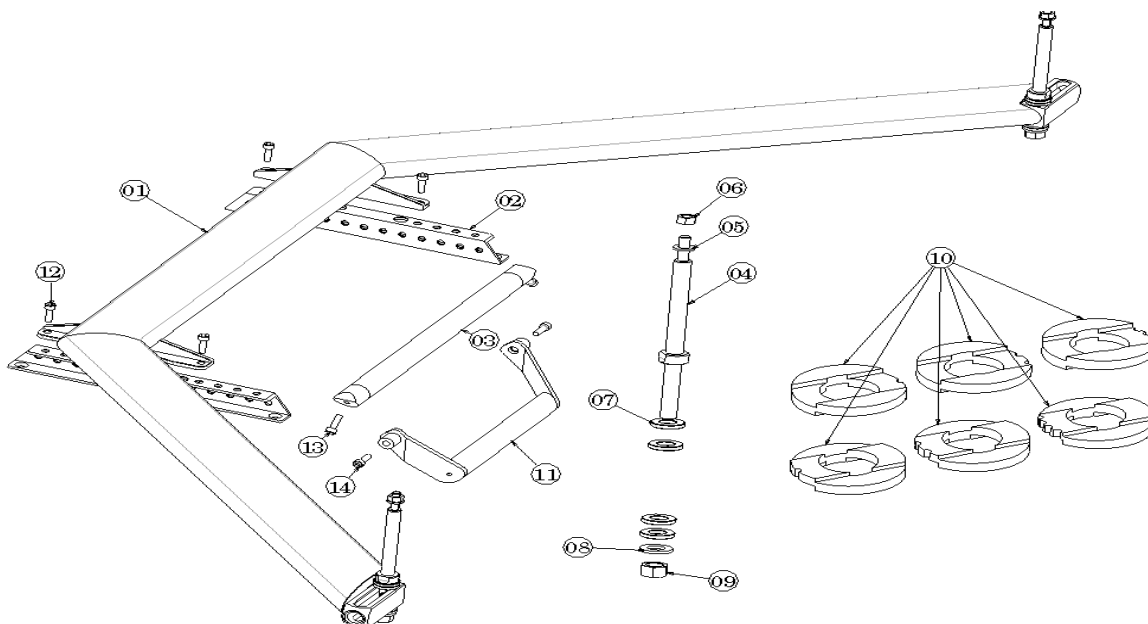


## Carbon monotube rigger for scull and sweep

N°	Code	Description	Price
	VABCMC000	* Carbon monotube rigger with hilt, pin and oarlock	1.003,60
	VABPMC000	* Carbon monotube rigger for sweep with hilt, pin and oarlock	1.138,80
	VABCMC005	* Carbon monotube double rigger with hilt, without pin and oarlock	878,00
	VABPMC015	* Carbon monotube rigger for sweep with hilt, without pin and oarlock	1.110,58
01	VABXF203	Stainless steel rib for Centina	3,60
03	VABXMC060	Black aluminium clevis pin	8,80
04	AVD12UNI	Nut M12	1,72
05	AVDESAG	Nut M6	0,64
06	AVD8	Nut M8	0,77
07	VABXMC010	Carbon hilt for scull and sweep, without pin and oarlock	97,00
	VABXMC015	Carbon hilt for scull and sweep, with pin, without oarlock	110,60
	VABXMC020	Carbon hilt for scull and sweep, with pin and oarlock	126,40
	VABXXM010	Black washer for height adjustment	0,42
09	VABCXT115	Set for height adjustment (4 pcs)	4,22
12	VAPEF284	Stainless steel span regulation plate scull/sweep	16,00
13	VABXMC085	Aluminium foot M12 for single scull	16,10
	VABXMC085	Aluminium foot M12 for 2X, 2-, 2X-	16,10
	VABXMC085	Aluminium foot M12 4X, 4-, 4X-	16,10
	VABXMC085	Aluminium foot M12 for coxed 8	16,10
18	VABXXA006A	Washer 6 mm	0,15
19	VABXXGL8	Glower Washer 8 mm	1,10
20	VABXXA008A	Washer 8 mm stainless steel	0,17
21	VABXXA012A	Stainless steel washer 12mm	0,39
23	VABXMC050	Threaded aluminium plugs for carbon riggers	11,10

24	VABXMC105	Large aluminium washers for blocking carbon hilt, scull	4,20
	VABXMC110	Large aluminium washers for blocking carbon hilt, sweep	4,40
25	VABXMC045	Stainless steel pin for carbon rigger	13,80
26	VABCMC010	Carbon compression tube with inserts for scull	266,00
	VABPMC010	Carbon compression tube with inserts for sweep	305,00
27	VABCMC020	Carbon support tube with foot for scull	272,00
	VABPMC020	Carbon support tube with foot for sweep	313,00
28	AVBA4M6040	Flanged head screw single scull	2,28
	AVBA4M6040	Flanged head screw for double scull	2,28
	AVBA4M6040	Flanged head screw for four	2,28
	AVBA4M6040	Flanged head screw for coxed eight	2,28
29	AVB830ES	M8x30 centered bolts	2,28
30	AVV835BC	Screw M 8x35 scull	1,10
	AVV855BP	Screw M 8x55 sweep	1,10
31	AVV315MC	Screw M 3x15	0,50
	AVBA4M6040	Bolts tbce C / flange A-4 M 6.0 x 40 steel	2,28
	AVBA4M6050	Bolts tbce C / flange A-4 M 6.0 x 50 steel	2,28
	AVBA4M6060	Bolts tbce C / flange A-4 M 6.0 x 60 steel	2,28
	AVBAMM60100	Bolts tbce C / flange -4 M 6.0 x 100 steel	2,28
	VABPXMK100	Oarlock MK 1 sweep	15,6
	VABPXMK120	Set bushings MK 1 sweep for 2 oarlocks	35,00
	VABPXC005	Nylon sweep oarlock Concept II	6,70
	VABPXC020	Oarlock adjustment bushings sweep Concept II (1 set)	15,60
	VABCXC005	Nylon oarlock for scull Concept II	6,50
	VABCXC020	Oarlock adjustment bushings scull Concept II (1 set)	15,60
	VABCXMK100	Oarlock MK 1 scull	6,50
	VABCXMK120	Set bushings MK 1 scull for 2 oarlocks	35,00
		Bag for monotube rigger, scull	6,70
		Bag for monotube rigger, sweep	6,50

\*Provide serial number or type of boat



## Aluminium wing scull rigger

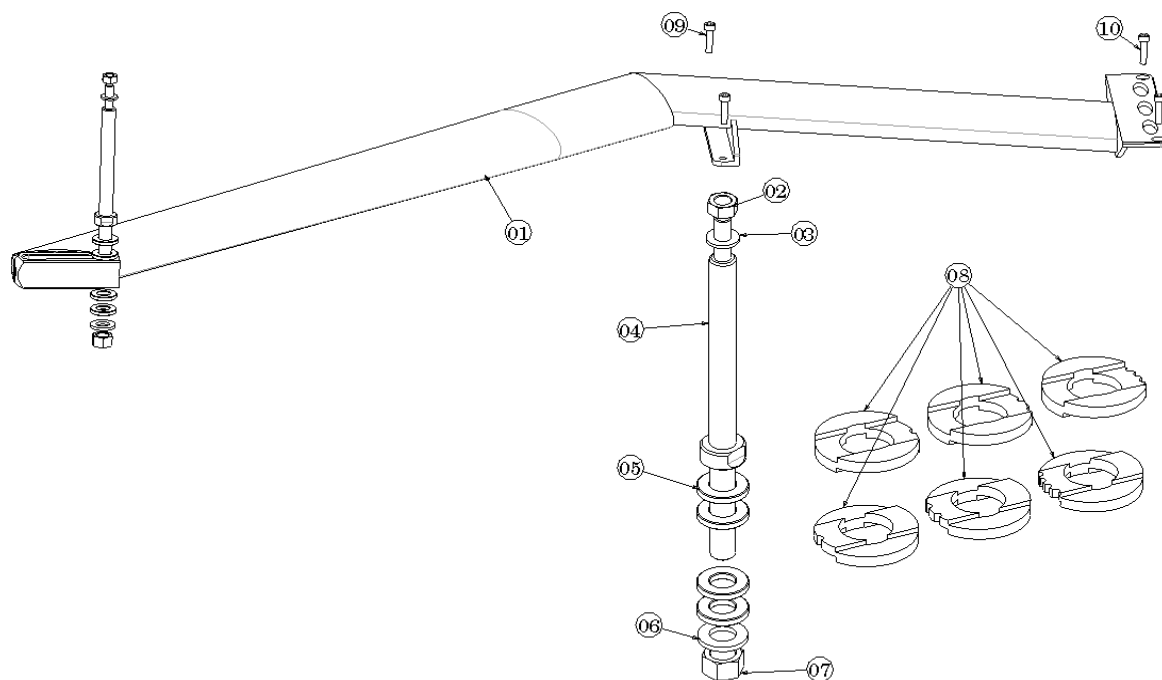
ref. N°	Code	Description	Price
	VABCWA200	* Aluminium wing scull rigger, with titanium pin, 5th tube and oarlock	676,00
01	VABCWA215PT	* * Aluminium wing scull rigger, with titanium pin, 5th tube and oarlock	644,80
01	VABCWA210	* Aluminium wing scull rigger, structure only	510,00
02	VABCWC015	Anodized aluminium blocks for single scull with aluminium wing scull rigger	73,20
03	VAPEX4043	* Cross bar for standard single scull	51,00
04	VABXMC047	Pin in titanium and stainless steel	60,00
	VABCXC010	Machined stainless steel pin, scull	23,00
05	VABXXA008A	Washer 8	0,17
06	AVD8	Nut M8	0,77
07	VABXXT005	5 mm thick aluminium washer for height	1,55
08	VABXXA0012A	stainless steel washer 12	0,39
09	AVD12UNI	Nut M12	1,72
10	VABXMC070	Set of inclined washers for lateral pin adjustment	14,50
11	VABA1X001	* Crossbar in aluminium for single scull with aluminium wing scull rigger	102,00
12	AVV6030A	Allen head bolt cyl. for single scull M6x30	2,28
	AVBA4M6030	Allen head screw for double scull and four (4X) flanged M6x30	2,28
13	AVV6020A	Allen head bolt cyl. M 6x20	0,42
14	AVV6020A	Allen head bolt cyl. M 6x20	0,42
	VABCXC005	Oarlock, scull, Concept 2	15,60
	VABXXM010	Black height adjustment washer	0,42
	VABPXMK100	Oarlock MK 1, scull	35,00
	VABPXMK120	Set of adjustment bushings MK 1, scull, for 2 oarlocks	6,70
	VABPXC020	Oarlock adjustment bushings, scull, Concept 2 (1 set)	6,50
		Bag for aluminium wing scull rigger	

\*Provide serial number or type of boat



Filippi Lido S.r.l.- Via Matteotti 113- 57022 Donoratico (Italy) ph. +39 0565 777311 fax +39 0565 777483

CATALOGUE 2 0 0 9 -- N° 29



## Aluminium wing sweep rigger

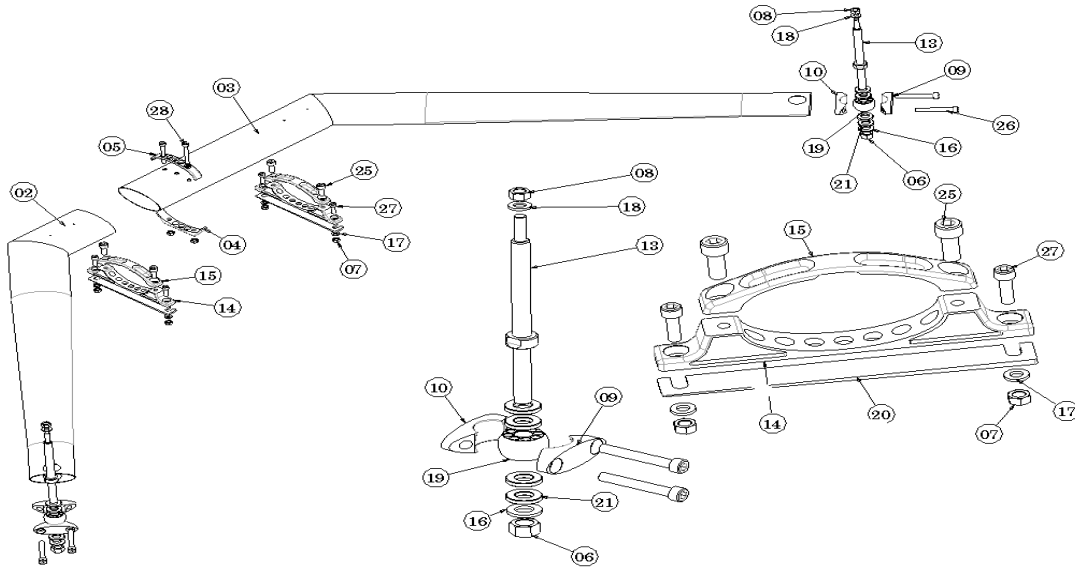
N°	Code	Description	Price
	VABPWA200	* aluminium wing sweep rigger, with titanium pin, 5th tube and oarlock	422,00
01	VABPWA215	* aluminium wing sweep rigger, with titanium pin, 5th tube and oarlock	382,00
	VABPWA210	* aluminium wing sweep rigger, structure only	361,00
02	AVD8	Steel nut M8	0,77
03	VABXXA008A	Stainless steel washer 8	0,17
04	VABPXC010	Machined stainless steel pin, sweep	25,60
	VABXMC048	Titanium pin, sweep	60,00
05	VABXXT005	5 mm thick aluminium washer for height	1,55
06	VABXXA0012A	Stainless steel washer 12	0,39
07	AVD12UNI	M12 stainless steel nut	1,16
08	VABXMC070	Set of inclined washers for lateral pin adjustment	14,50
09	AVV6030A	Cyl. Allen head screw M 6X30	0,35
10	AVV630	Countersunk Allen head screw M 6X30	0,45
	VABCXC005	Oarlock, sweep, Concept II	15,6
	VABXXM010	Black height adjustment washer	0,42
	VABPXMK100	Oarlock MK 1 sweep	35,00
	VABPXMK120	Set of bushings MK 1 for sweep for 2 oarlocks	6,70
	VABPXC020	Oarlock adjustment bushings, sweep, Concept II (1 set)	6,50
		Bag for aluminium wing sweep rigger	

\*Provide the serial number or type of boat



Filippi Lido S.r.l.- Via Matteotti 113- 57022 Donoratico (Italy) ph. +39 0565 777311 fax +39 0565 777483

CATALOGUE 2009 -- N° 29



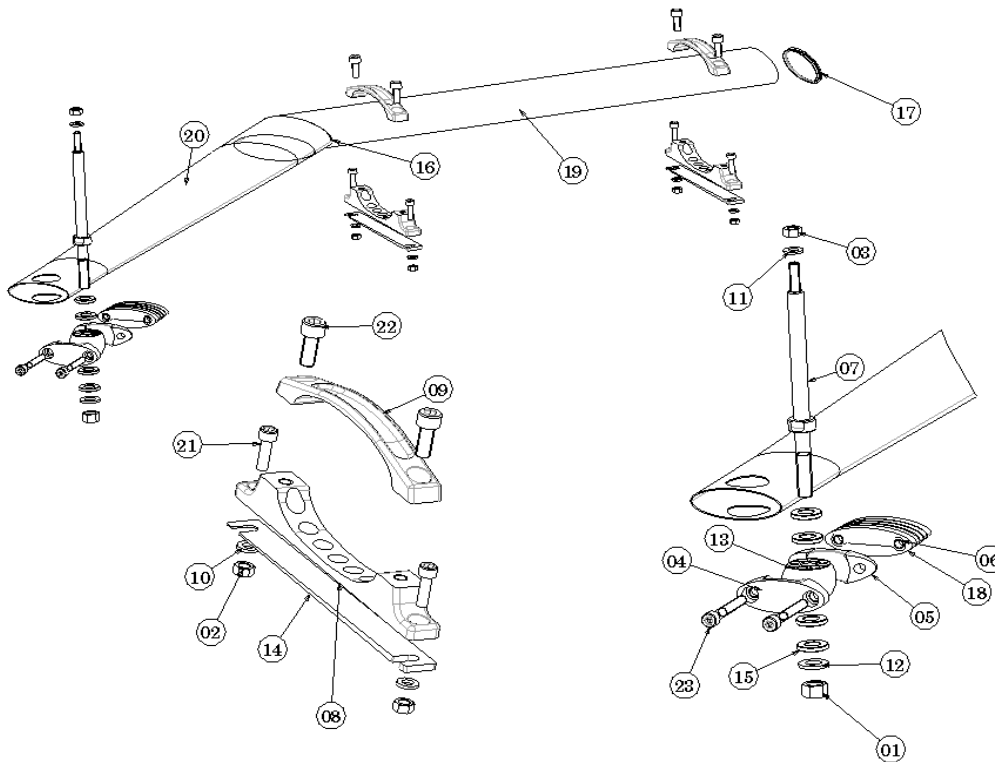
## Carbon wing scull rigger

N°	Code	Description	Price
	VABCWC000PT	* Carbon wing scull rigger with 5th tube, titanium pins and oarlock	1.947,00
02+03	VABCWC015PT	* Carbon wing scull rigger with 5th tube, titanium pins without oarlock	1.916,00
02+03	VABCWC010	* Carbon wing scull rigger with 5th tube, without pin, without oarlock	1.796,00
02+03	VABCWC010S	* Carbon wing rigger, structure only	1.590,00
05+04	VABCWC050	Aluminium clamp for fastening to gunwale, with screws	32,00
27	AVV6030A	Allen head screw cyl. M6x30	0,45
08	AVD8	Nut M8	0,77
18	VABXXA008A	Washer 8	0,17
13	VABXMC047	Titanium pin for scull	60,00
21	VABXXT005	5 mm thick aluminium washer	1,55
16	VABXXA012A	Washer 12	0,39
06	AVD12UNI	Nut M 12	1,72
26	AVV855	Screw 8 X 55 Allen head cyl.	1,10
17	VABXXA006A	Washer 6	0,15
07	AVDESAG	Nut M6	0,64
24	AVV815MC	M8 X 15 Allen head cyl.	1,00
15	ASPALLGS	Upper plate for mounting scull rigger	30,00
14	ASPALLGI	Lower plate for mounting scull rigger	30,00
10	ASPALLTCGI	Lower jaw fixture, scull	21,00
09	ASPALLTCGS	Upper jaw fixture, scull	21,00
19	ASPALLTC	Carbon wing sphere for scull	88,00
20	VABCXTAA	Wedge for reg. height for carbon wing, scull	2,31
	VABXXM010	Black washer for adjusting height	0,42
	VABCXC005	Nylon oarlock for scull, Concept II	15,60
	VABPXMK100	Oarlock MK 1 scull	35,00
	VABPXMK120	Set of bushings MK 1, scull, for 2 oarlocks	6,70
	VABPXC020	Oarlock adjustment bushings for scull, Concept II (1 set)	6,50
		Bag for Carbon wing scull rigger	

\*Provide serial number or type of boat



Filippi Lido S.r.l.- Via Matteotti 113- 57022 Donoratico (Italy) ph. +39 0565 777311 fax +39 0565 777483



## Carbon wing sweep rigger

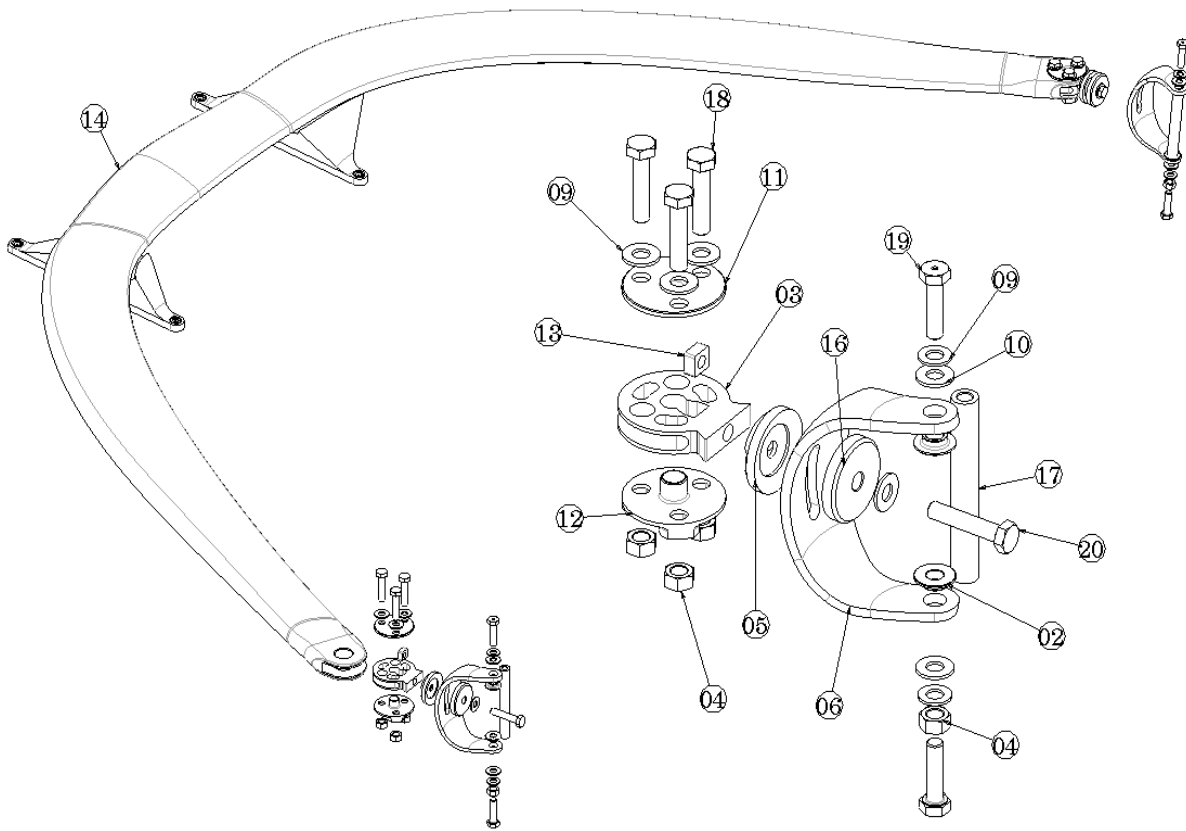
N°	Code	Description	Price
	VABPWC000	Carbon wing sweep rigger with 5 tubes, titanium pin and oarlock	1.008,00
	VABPWC015PT	Carbon wing sweep rigger with 5 tubes, titanium pin, without oarlock	948,00
	VABPWC000S	Carbon wing sweep rigger, structure only without accessories	770,00
01	AVD12UNI	Nut M 12	1,72
12	VABXXA012A	Washer 12	0,39
15	VABXXT005	5 mm thick aluminium washer for height	1,55
23	AVV860	Allen head cyl. screw M8x60	1,10
04	ASPALLTPGS	Upper jaw fixture, sweep	23,00
13	ASPALLTP	Carbon wing sphere, sweep	112,00
05	ASPALLTPGI	Lower jaw fixture, sweep	23,00
07	VABXMC048	Titanium pin, sweep	60,00
	VABPXC010	Machined stainless steel pin, sweep	25,60
11	VABXXA008A	Stainless steel washer 8	0,17
03	AVD8	Nut M 8 stainless steel	0,77
17	VABXWC050	End cap in aluminium for carbon wing riggers	25,00
22	AVV815MC	M8 X 15 cyl. Allen head screw	1,00
08	ASPALLGIP	Attachment plate for carbon wing sweep rigger (lower)	35,00
09	ASPALLGSP	Attachment plate for carbon wing sweep rigger (upper)	35,00
21	AVV6030A	Cyl. Allen head screw M 6X30	0,35
10	VABXXA006A	Stainless steel washer 6	0,15
02	AVDESAG	M6 stainless steel nut	0,64
14	VABCXTAP	Height adjustment wedge for carbon wing sweep rigger	1,50
	VABXXM010	Black height adjustment washer	0,42
	VABCXC005	Nylon oarlock Concept II, sweep	15,60

	VABPXMK100	Oarlock MK 1 sweep	35,00
	VABPXMK120	Set of bushings MK 1 for sweep for 2 oarlocks	6,70
	VABPXC020	Oarlock adjustment bushings, sweep, Concept II (1 set)	6,50
		Bag for carbon wing sweep rigger	



Filippi Lido S.r.l.- Via Matteotti 113- 57022 Donoratico (Italy) ph. +39 0565 777311 fax +39 0565 777483

CATALOGUE 2 0 0 9 -- N° 29



## Aliante Carbon scull rigger

ref. N°	Code	Description	Price
	VABCALC300	* Aliante Carbon scull rigger with hilt, steel and aluminium accessories and with Concept2 oarlocks	2.260,00
	VABCALC310	* Aliante Carbon scull rigger with hilt, steel and aluminium accessories, without oarlocks	2.228,80
14	VABCALC315	* Aliante Carbon scull rigger, structure only	1.989,00
04	AVD8	Nut M 8 stainless steel	0,77
	VABXAL020	Carbon hilt for Aliante, with pin and oarlock	134,40
	VABXAL015	Carbon hilt for Aliante with pin, without oarlock	118,80
06	VABXAL010	Carbon hilt for Aliante	105,00
02	VABXMC040	Hilt bushing	2,85
11	VABXAL023	Upper cup retainer for Aliante scull	18,00
12	VABXAL025	Lower cup retainer for Aliante scull	24,00
20	AVBA48040	Screw hex head M8x40	1,30
13	VABXAL030	Diaphragm nut Aliante, scull	3,80
03	VABXAL035	Span Aliante, scull	51,00
05	VABXAL040	Hilt holder Aliante, scull	12,00
17	VABXMC045	Stainless steel pin for carbon rigger	13,80
10	VABXXA008A	Stainless steel washer 8	0,17
09	VABXXGL8	Glower Washer 8 mm	1,10
19	AVB830ES	M8x30 centered bolts	2,28
16	VABXMC105	Large aluminium washers for blocking carbon hilt, scull	4,20
18	AVBA48035	Screw M 8x35 hex head for span mounting system	1,10
	VABXXM010	Black height adjustment washer	0,42

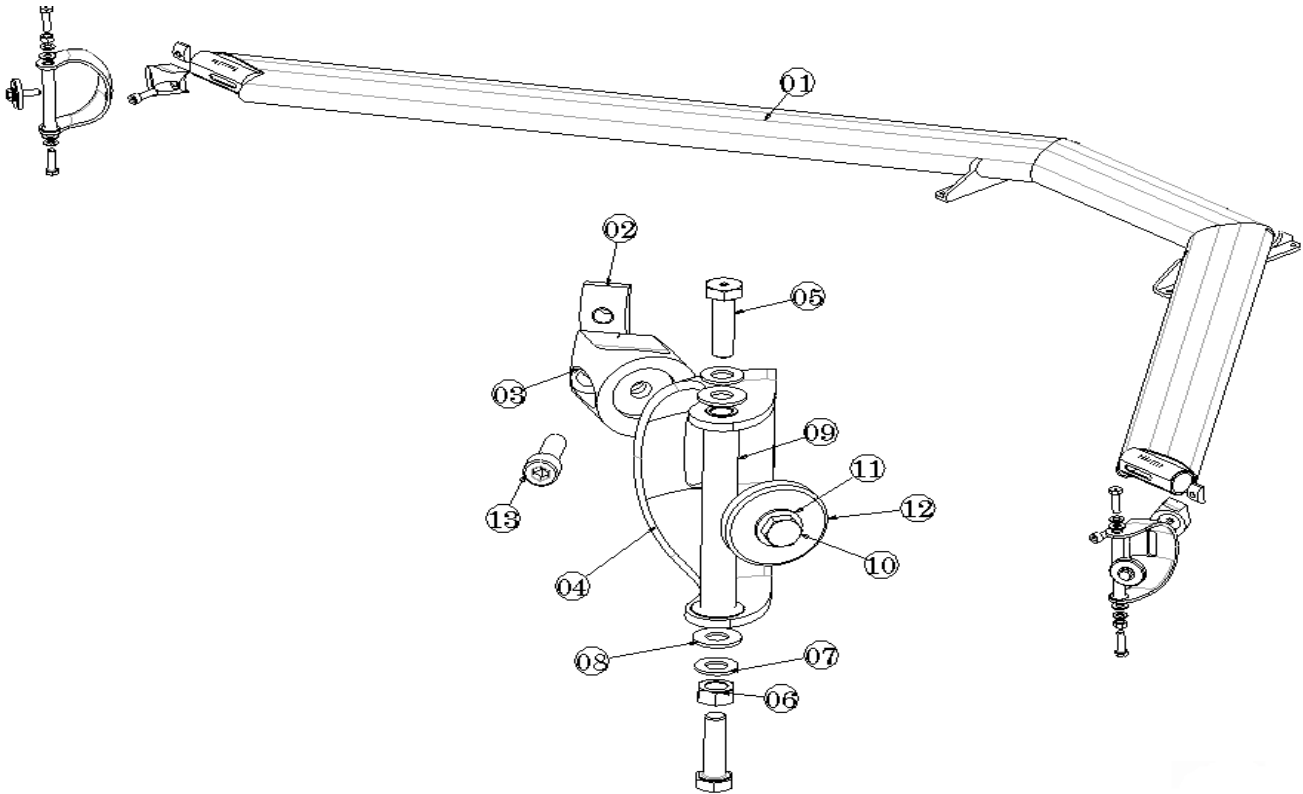
	VABCXC005	Nylon oarlock for scull, Concept II	15,60
	VABPXMK100	Oarlock MK 1 scull	35,00
	VABPXMK120	Set MK 1 bushings for scull for 2 oarlocks	6,70
	VABPXC020	Oarlock adjustment bushings, scull Concept II (1 set)	6,50
		Bag for Aliante Carbon scull rigger	

\*Provide serial number or type of boat



Filippi Lido S.r.l.- Via Matteotti 113- 57022 Donoratico (Italy) ph. +39 0565 777311 fax +39 0565 777483

CATALOGUE 2 0 0 9 -- N° 29



## Aluminium Aliante scull rigger

rif. N°	Code	Description	Price
	VABCALA500	* Aluminium Aliante rigger with accessories in steel and aluminium and oarlocks	949,00
	VABCALA510	* Aluminium Aliante rigger with hilt and accessories in steel and aluminium, without oarlocks	917,80
1	VABCALA515	aluminium Aliante rigger, structure only	727,50
2	VABXALA030	steel crescent nut for aluminium Aliante rigger	7,90
3	VABXALA040	Aluminium hilt holder insert for aluminium Aliante rigger	31,00
4	VABXMC010	Carbon hilt, scull and sweep, without pin and oarlock	97,00
5	AVB830ES	M8x30 centered bolts	2,28
6	AVDESAG	M6 stainless steel nut	0,64
7	VABXXGL8	Glower washer 8 mm	1,10
8	VABXXA008A	Flat washer 8 mm steel	0,17
9	VABXMC045	Stainless steel pin for carbon rigger	13,80
10	AVV835BC	Screw M 8x35 scull	1,10
11	VABXXA008A	Flat washer 8 mm steel	0,17
12	VABXMC105	Large aluminium washers for blocking carbon hilt, scull	4,20
13	AVV8020C	Allen screw cyl. head M8 x 20	1,10
		Bag for Aluminium Aliante scull rigger	

\*Provide serial number or type of boat



Filippi Lido S.r.l.- Via Matteotti 113- 57022 Donoratico (Italy) ph. +39 0565 777311 fax +39 0565 777483

CATALOGUE 2 0 0 9 -- N° 29

	<b>Rowing Accessories</b>	<b>Price</b>
VAVAREVOR	Vortex Edge	4,00
VAVARECP	Clam sleeve for scull / sweep CII rowing	2,80
	Scull and sweep buttons for oars CII	7,30
VAVAREAC06	Wooden handle, scull	35,00
VAVAREAP05	Wooden handle, sweep	50,00
	Adjustable carbon handle, scull, without grip	50,00
	Adjustable carbon handle, sweep, without grip	78,00
VAVAREA021	Sleeve, sweep, C II black/green	19,00
	Sleeve, scull, C II black/green	19,00
VAVAREA06	CII grip scull/sweep with plastic support	9,50
VAVAREA15	Sweep handle (end) without support	9,50
VAVAREA16	Grip, sweep, (intermediate)	9,50
	Grip for sculling oars, CII	8,00
VAVAREASTA	Stampfli grip	14,50
	Blade, scull, BB/ smoothie	159,00
	Blade, sweep, BB / smoothie	159,00
	<b>Nielsen-Kellerman Merchandise</b>	
VACXNK201	Speaker for NK Cox-Box	38,00
VACXNK3	Cable for Cox-Box for 8 + 3 outlets	148,00
VACXNK2	Cable for Cox-Box for 4 + 2 outlets	110,00
VASCNK040	Clip for SC and SP Cable (black)	1,80
VACXNK300	Cox-box, 3 speaker sections, for 8 +	785,00
VASPNKR020	Fin and rotor - Speed Coach	25,00
	Microphone and band for COX-BOX	103,00
VASPNKG010	SPC Gold & XL/USB Interface	
VAIN2NK000	Interval 2000 N & K	118,00
VASCNK030	Magnet for Speed, Stroke, and Cox Box	4,50
VASCNK011	T plate, NK footplate	9,00
VASPNKR010	Plate Speed-Coach N & K	51,00
VASCNK010	Plate-Stroke Coach N & K	51,00
VASPNKG	Speed Coach Gold with NK	275,00
VASPNKG000	Speed Coach Gold unit only	240,00
VASPNKR000	Speed Coach Red NK complete	200,00
VASPNKXL100	Speed Coach XL1 complete	340,00
VASPNKXL120	Speed Coach XL1 only computer and charger	245,00
VASPNKL200C	Speed Coach XL2 complete	383,00
VASPNKL200	Speed Coach XL2 only computer and charger	286,00
VASPNKL300C	Speed Coach XL3 Complete	490,00
VASPNKL300	Speed Coach XL3 only computer and charger	394,00
VASPNKL400C	Speed Coach XL4 Complete	562,00
VASPNKL400	Speed Coach XL4 only computer and charger	465,00
VASCNKR000	Stroke Coach N-K Complete	172,00
VASCNKR000	Stroke Coach N-K wireless, complete	235,00
VASCNK065	Cover for SC and SP cap battery with O-ring	3,00
	<b>Miscellaneous</b>	
VAVASCT10	Stainless steel cable - diameter 1.5 mm (per meter)	1,25
VAVASC018	X belt to tie the boats a 3 m.	6,00
VACOPE2	Cover for double scull	550,00
VACOPE4	Cover for four	630,00
VACOPE8	Covered for coxed 8	1.670,00
VACOPE1	Cover for single scull	400,00

AUCRISTO	Cristo (support for loading boats)	217,00
VAVASCT11	Steel conduit for cable (per meter)	6,50
VAVAIMP01	Oar Pitch adjuster	64,00
VAVAIMP02	Inclinometer for carbon riggers (Pitch meter)	105,00
VAVASC017	Elastic strap to secure the seat	3,15
VAVASC001	Protective bow ball	4,05
VAVASC006	Plastic number plate	2,90
VAVASC005	Plastic flap, diameter 100 mm	7,10
VAVASC008	Plastic flap, diam. 160 mm	7,10
	Small flap	7,10
ACNAFIIM	Roll of FILIPPI packing tape	7,70
VAVAXA002	Rigger measuring stick	166,00
AMVDH03	Spray paint (spray can) 520 ml	17,90
AMVD802	Paint, slow 802 catalyst for 700D	59,00

